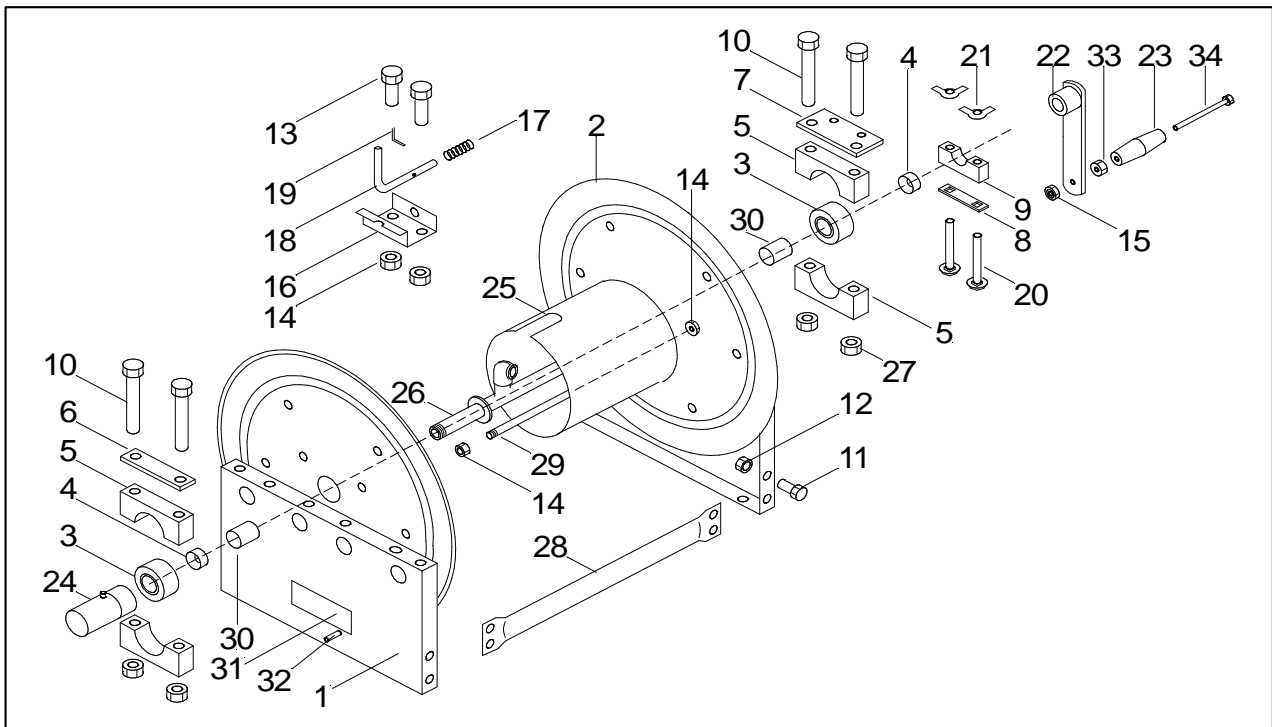


Series 4300 Aluminum Frame Hose Reel Parts List



Ref	Part Num	Description	Qty
1	4301	Panel, end, aluminum	2
2	7004	Disk, aluminum	2
3	7035	Bearing, 7/8 dia, ball	2
4	7033	Sleeve, SS, for bearing	2
5	7034	Bearing holder, molded resin	4
6	7022	Plate, bearing holder, SS	1
7	7021	Plate, drag & brg holder, SS	1
8	7020	Plate, lower, drag, SS	1
9	7023	Block, drag, molded resin	1
10	7029	Bolt, hex hd, 3/8-16 x 3.5", SS	4
11	7007	Bolt, hex hd, 1/4-20 x 1/2, SS	8
12	1516	Nut, Nylok, 1/4-20, SS	8
13	7042	Bolt, hex hd, 3/8-16 x 1, SS	2
14	7014	Nut, flange, 3/8 -16, SS	10
15	1518	Nut, thin, Nyloc 3/8-16 SS	5
16	7032	Bracket, lock, SS	1
17	7041	Spring, lock, SS	1
18	7043	Pin, lock, SS	1
19	7048	Cotter pin, SS	1
20	7045	Bolt, carriage, 5/16-18 x 3, SS	2
21	7044	Nut, Wing, 5/16-18, SS	2
22	7027	Crank arm assembly, SS	1

Ref	Part Num	Description	Qty
23	7028	Grip, molded resin	1
24	8600	Swivel, brass, 1/2", models 43xx	1
	8620A	SuperSwivel, models 43XXH	1
25	7092-0006	Spool, PVC, model 4306	1
	7092-0012	Spool, PVC, model 4312	
	7092-0018	Spool, PVC, model 4318	
	7092-0022	Spool, PVC, model 4322	
	7092-0028	Spool, PVC, model 4328	
26	4510-0006	Manifold, black iron, model 4306	1
	4510-0012	Manifold, black iron, model 4312	
	4510-0018	Manifold, black iron, model 4318	
	4510-0022	Manifold, black iron, model 4322	
	4510-0028	Manifold, black iron, model 4328	
27	7024	Nut, Nyloc, 3/8-16, SS	4
28	4302-0006	Brace, alum tube, model 4306	2
	4302-0012	Brace, alum tube, model 4312	
	4302-0018	Brace, alum tube, model 4318	
	4302-0022	Brace, alum tube, model 4322	
	4302-0028	Brace, alum tube, model 4328	
29	7047-0006	Tie rod, 3/8 SS	4
	7047-0012	Tie rod, 3/8 SS	
	7047-0018	Tie rod, 3/8 SS	
	7047-0022	Tie rod, 3/8 SS	
	7047-0028	Tie rod, 3/8 SS	
30	7096	Spacer, 1-5/16" long	2
31	7050	Nameplate, SS	1
32	7049	Rivet, pop, 1/4	2
33	8617	Nut, Jam, 3/8-16, SS	1
34	8616	Bolt, hex head, 3/8-16 x 4, SS	1

Titan Products (Div. of PCM Inc.) / www.titanprod.com
 2233 34th Way, Largo, FL 33771
 ph: 727-531-1770 fax: 727-530-1502

Form 9837 9/1/2004