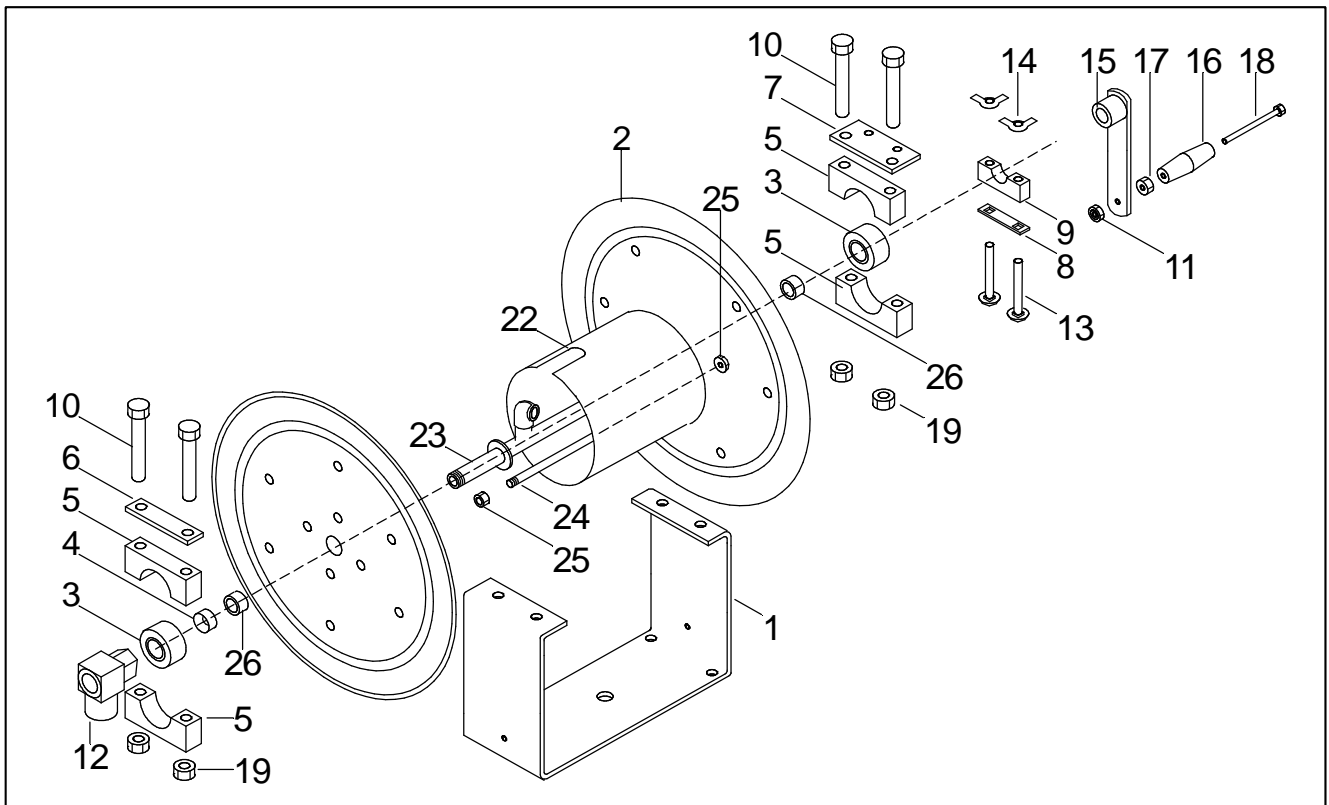


Series 4800 Aluminum Frame Hose Reel Parts List



Ref	Part Num	Description	Qty
1	4801-0006	Frame, Alum, model 4806	1
	4801-0012	Frame, alum, model 4806	
	4801-0018	Frame, alum, model 4818	
2	7004	Disk, aluminum	2
3	7035	Bearing, 7/8 dia, ball	2
4	7033	Sleeve, SS	2
5	7034	Bearing holder, molded resin	4
6	7022	Plate, bearing holder, SS	1
7	7021	Plate, drag & bearing holder, SS	1
8	7020	Plate, lower, drag, SS	1
9	7023	Block, drag, molded resin	1
10	7029	Bolt, hex hd, 3/8-16 x 3.5", SS	4
11	1518	Nut, thin, Nyloc 3/8-16 SS	1

Titan Products (Div. of PCM Inc.)
 PO Box 1538, Largo, FL 33779
 ph: 727-531-1770 fax: 727-530-1502

2009

Ref	Part Num	Description	Qty
12	8600	Swivel, brass, 1/2" npt, for 4800	1
	8620A	Swivel, Super, 1/2, for 4800H	1
13	7045	Bolt, carriage, 5/16-18 x 3, SS	2
14	7044	Nut, Wing, 5/16-18, SS	2
15	7027	Crank arm assembly, SS	1
16	7028	Grip, molded resin	1
17	8617	Nut, Jam, 3/8-16, SS	1
18	8616	Bolt, hex head, 3/8-16 x 4, SS	1
19	7024	Nut, Nylock, 3/8 - 16, SS	4
22	7092-0006	Spool, PVC, model 4806	1
	7092-0012	Spool, PVC, model 4812	
	7092-0018	Spool, PVC, model 4818	
23	4510-0006	Manifold, black iron, model 4806	1
	4510-0012	Manifold, black iron, model 4812	
	4510-0018	Manifold, black iron, model 4818	
24	7047-0006	Tie rod, 3/8 SS, model 5406	4
	7047-0012	Tie rod, 3/8 SS, model 5412	
	7047-0018	Tie rod, 3/8 SS, model 5418	
25	7014	Nut, flange, 3/8-16 SS	8
26	7005	Spacer, fits over manifold	2